

**KOBELCO**

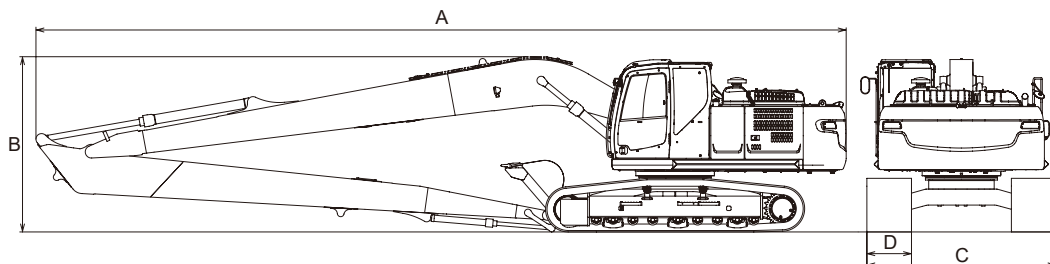
# LONG REACH

HYDRAULIC EXCAVATORS OF NORTH AMERICA



**BUILT LIKE NO OTHER**

# LONG REACH

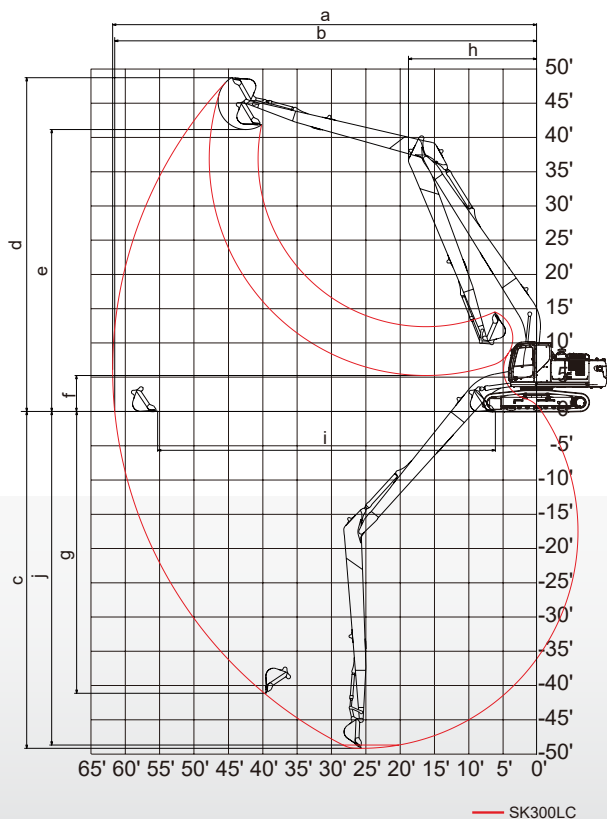


## SK300LC LR

**LONG REACH:** 62' (18,898 MM)  
**ENGINE:** ISUZU 6HK1  
**NET POWER:** 265 HP (198 KW) / 1,900 RPM  
**SWING SPEED:** 10.3 RPM  
**OPERATING WEIGHT:** 79,160 LBS (35,900 KG)



MAIN SPECIFICATIONS	SK300LC-11 LR
A. Overall Length	50' 2" (15,290 mm)
B. Overall Height	11' 3" (3,425 mm)
C. Overall Width	11' 1" (3,390 mm)
D. Shoe Width	31.5" (800 mm)

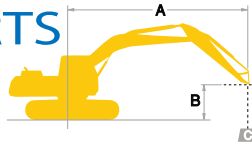


WORKING RANGES	SK300LC-11 LR
Long Reach Attachment	62' (18,898 mm)
Boom	34' 11" (10,607 mm)
Arm	25' 10" (7,880 mm)
a. Max Digging Reach	63' 1" (19,230 mm)
b. Max Digging Reach at Ground Level	62' 9" (19,120 mm)
c. Max Digging Depth	48' 10" (14,900 mm)
d. Max Digging Height	49' 10" (15,190 mm)
e. Max Dump Clearance	41' 4" (12,590 mm)
f. Minimum Dump Clearance	5' 9" (1,760 mm)
g. Max Vertical Wall Digging Depth	47' (14,330 mm)
h. Minimum Swing Radius	20' 2" (6,160 mm)
i. Horizontal Digging Stroke at Ground Level	47' 10" (14,580 mm)
j. Digging Depth for 8' (2.4 m) Flat Bottom	48' 5" (14,750 mm)

BUCKET SELECTION CHART	Capacity (SAE)	Width	Bucket Weight	Boom / Arm 34' 11" (10.61 m) / 25' 10" (7.88 m)
Ditch	0.62 yd <sup>3</sup> (0.47 m <sup>3</sup> )	62" (1.58 m)	992 lbs (450 kg)	M

M - Used with material weight up to 3,000 lbs/yc<sup>3</sup> (1,134 kg/m<sup>3</sup>)

# LIFT CHARTS



Rating over front



Rating over side or 360 degrees

A – Reach from swing centerline for arm to p

B – Bucket hook height above/below ground

C – Lifting capacities in pounds

SK300LC 62 ft Boom: 34' 10", Arm: 25' 10", Bucket: Less, Counterweight: 14,950 lbs, Shoe: 31.5"												HEAVY LIFT																			
B	A	5'		10'		15'		20'		25'		30'		35'		40'		45'		50'		55'		At Max. Reach							
		Rating	Rating	Rating	Rating	Rating	Rating	Rating	Rating	Rating	Rating	Rating	Rating	Rating	Rating	Rating	Rating	Rating	Rating	Rating	Rating	Rating	Rating	Rating	Rating	Radius					
40'	lb																	*3,470	*3,470						*1,430	*1,430	48' 2"				
35'	lb																			*2,430	*2,430					*1,360	*1,360	51' 3"			
30'	lb																			*4,500	*4,500	*3,930	*3,930				*1,320	*1,320	53' 9"		
25'	lb																			*4,710	*4,710	*4,670	*4,670	*2,030	*2,030		*1,310	*1,310	55' 9"		
20'	lb																											*1,320	*1,320	57' 2"	
15'	lb																												*1,350	*1,350	58' 1"
10'	lb																												*1,410	*1,410	58' 7"
5'	lb																												*1,490	*1,490	58' 8"
GL	lb																												*1,600	*1,600	58' 4"
-5'	lb	*5,940	*5,940	*6,960	*6,960	*10,740	*10,740	*18,500	14,260	*13,890	10,750	*11,070	8,500	*9,220	6,890	*7,940	5,680	*7,020	4,730	*6,340	3,960	*4,810	3,340	*1,750	*1,750	57' 6"					
-10'	lb	*7,690	*7,690	*8,910	*8,910	*12,150	*12,150	*18,650	13,740	*14,680	10,230	*11,740	8,060	*9,760	6,540	*8,370	5,410	*7,350	4,530	*6,570	3,830	*3,730	3,270	*1,950	*1,950	56' 3"					
-15'	lb	*9,550	*9,550	*10,950	*10,950	*14,050	*14,050	*19,650	13,560	*15,140	9,970	*12,180	7,800	*10,140	6,320	*8,670	5,240	*7,570	4,410	6,720	3,760					*2,220	*2,220	54' 6"			
-20'	lb	*11,490	*11,490	*13,110	*13,110	*16,300	*16,300	*19,570	13,620	*15,260	9,910	*12,370	7,700	*10,330	6,230	*8,820	5,170	7,660	4,370	*6,310	3,770						*2,580	*2,580	52' 2"		
-25'	lb	*13,530	*13,530	*15,450	*15,450	*18,920	*18,920	*19,080	13,860	*15,050	10,030	*12,290	7,760	*10,290	6,260	*8,770	5,200	*7,540	4,430									*3,100	*3,100	49' 3"	
-30'	lb	*15,710	*15,710	*18,010	*18,010	*21,980	*21,980	*18,140	14,280	*14,460	10,300	*11,870	7,950	*9,940	6,420	*8,410	5,360	*5,380	4,640									*3,910	*3,910	45' 7"	
-35'	lb			*20,850	*20,850	*21,580	*21,580	*16,610	14,900	*13,360	10,740	*11,000	8,300	*9,140	6,730	*7,500	5,710												*5,320	*5,320	41' 0"
-40'	lb					*18,220	*18,220	*14,250	*14,250	*11,510	11,400	*9,370	8,870	*7,430	7,310														*7,390	7,290	35' 1"

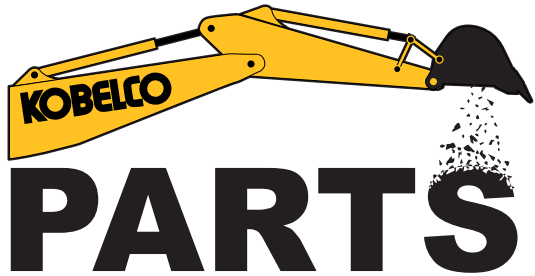
3. Arm bucket pin is defined as lift point.

## NOTES:

- Do not attempt to lift or hold any load that is greater than these lift capacities at their specified lift point radius and heights. Weight of all accessories must be deducted from the above lift capacities.
- Lift capacities are based on machine standing on level, firm, and uniform ground. User must make allowance for job conditions such as soft or uneven ground, out of level conditions, side loads, sudden stopping of loads, hazardous conditions, experience of personnel, etc.

- The above lifting capacities are in compliance with SAE J/ISO 10567. They do not exceed 87% of hydraulic lifting capacity or 75% of tipping load. Lifting capacities marked with an asterisk (\*) are limited by hydraulic capacity rather than tipping load.
- Operator should be fully acquainted with the Operator's and Maintenance Instructions before operating this machine. Rules for safe operation of equipment should be adhered to at all times.
- Lift capacities apply to only machines as originally manufactured and normally equipped by KOBELCO CONSTRUCTION MACHINERY CO., LTD.

Performance  Design



## NEXT EVOLUTION OF EFFICIENCY

Since 1930, we've built KOBELCO excavators to be leaders in the industry, adding innovation to our machines at every turn. Our latest machines build on that legacy.

Our Generation 11 machines deliver superior performance, greater efficiency, more productivity, and follows the KOBELCO Performance By Design concept for outstanding operator-based performance and comfort in this competitive class. Generation 11 KOBELCO excavators do all this and give you more standard features than the competition from the start.

## THE PERFECT PARTS FOR THE JOB

Don't risk it with second hand parts when you can have KOBELCO Genuine Parts shipped the next day. Designed and manufactured to factory specification, they're guaranteed to maintain the quality, power and efficiency of your machine. Just make one call to your local KOBELCO dealer and we'll have parts dispatched from our Katy, TX warehouse to wherever you need them.

## EXCLUSIVE FINANCING FOR KOBELCO EXCAVATORS

KOBELCO Financial Services is committed to help you get the machine you need to boost your business's productivity and profitability. From our Fair Market Value lease to loans with low monthly payments, we'll design a solution that works for you.



## BACKED BY KO-PRO WARRANTY

We build our excavators to such exacting standards, we can back them with the strongest warranty in the industry. All SK300LC-11 Long Reach models come with a standard full three year or 3,000 hour KO-PRO warranty and also include three full years of KOMEXS machine monitoring. That's serious protection for nearly every component in your excavator.



## EXTENDED COVERAGE FOR ADDED PEACE OF MIND

With the KOBELCO Premium Protection Plan, you can mix and match coverage options to create a personalized package that best fits your operation. With zero deductible, you never need to worry about out-of-pocket expenses or residual billing for a repair performed right in the field.



## KNOW WHEN YOU NEED SERVICE

Our KOMEXS telematics service provides warning alerts when your machine needs service and offers easy access to all your maintenance history. From anywhere you have Internet access, you can see where your machines are located at any given time along with their work status, total operating hours and fuel consumption. KOMEXS is included for the length of any warranty term on our mid- and full-size excavators, or it's available as a standalone service.